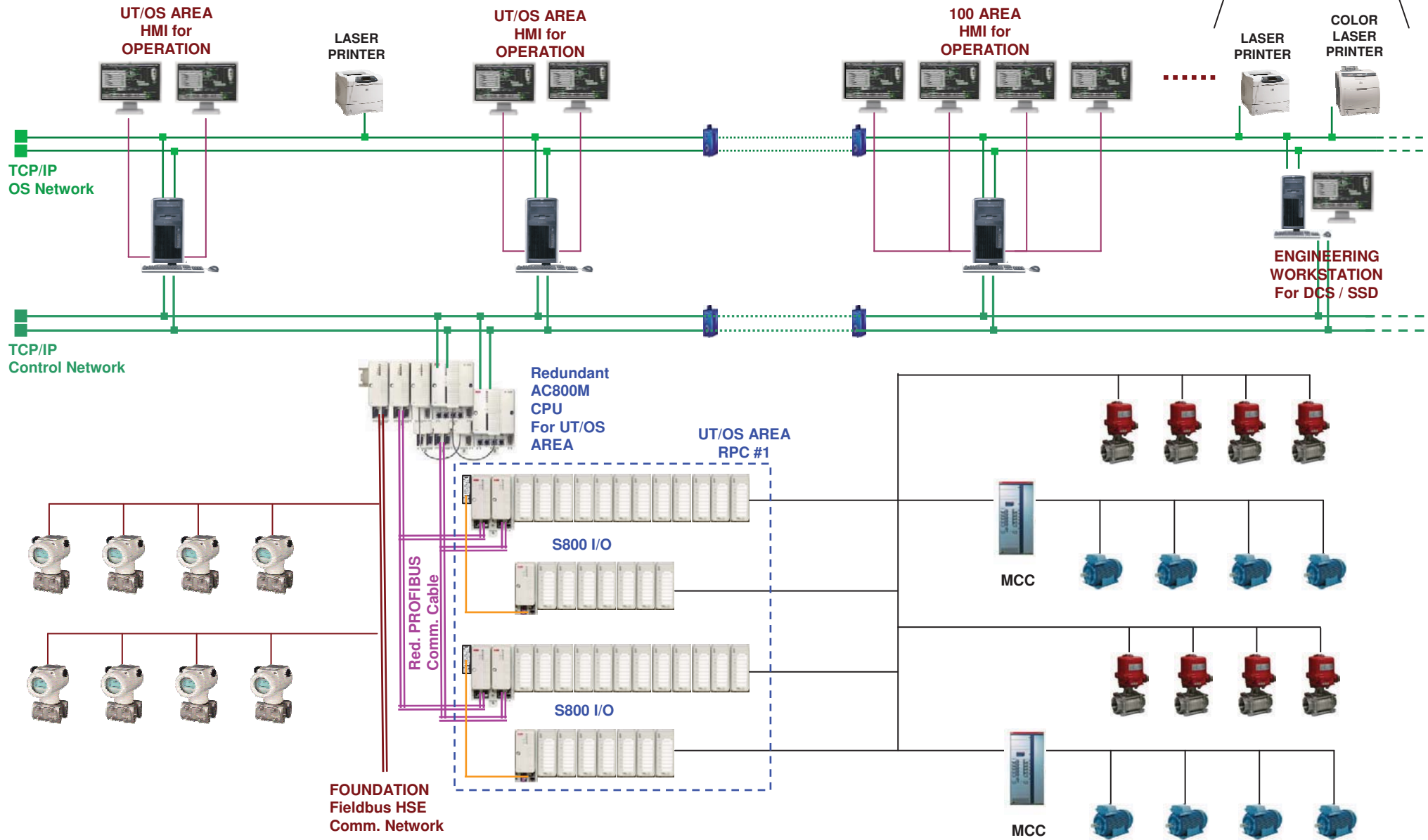
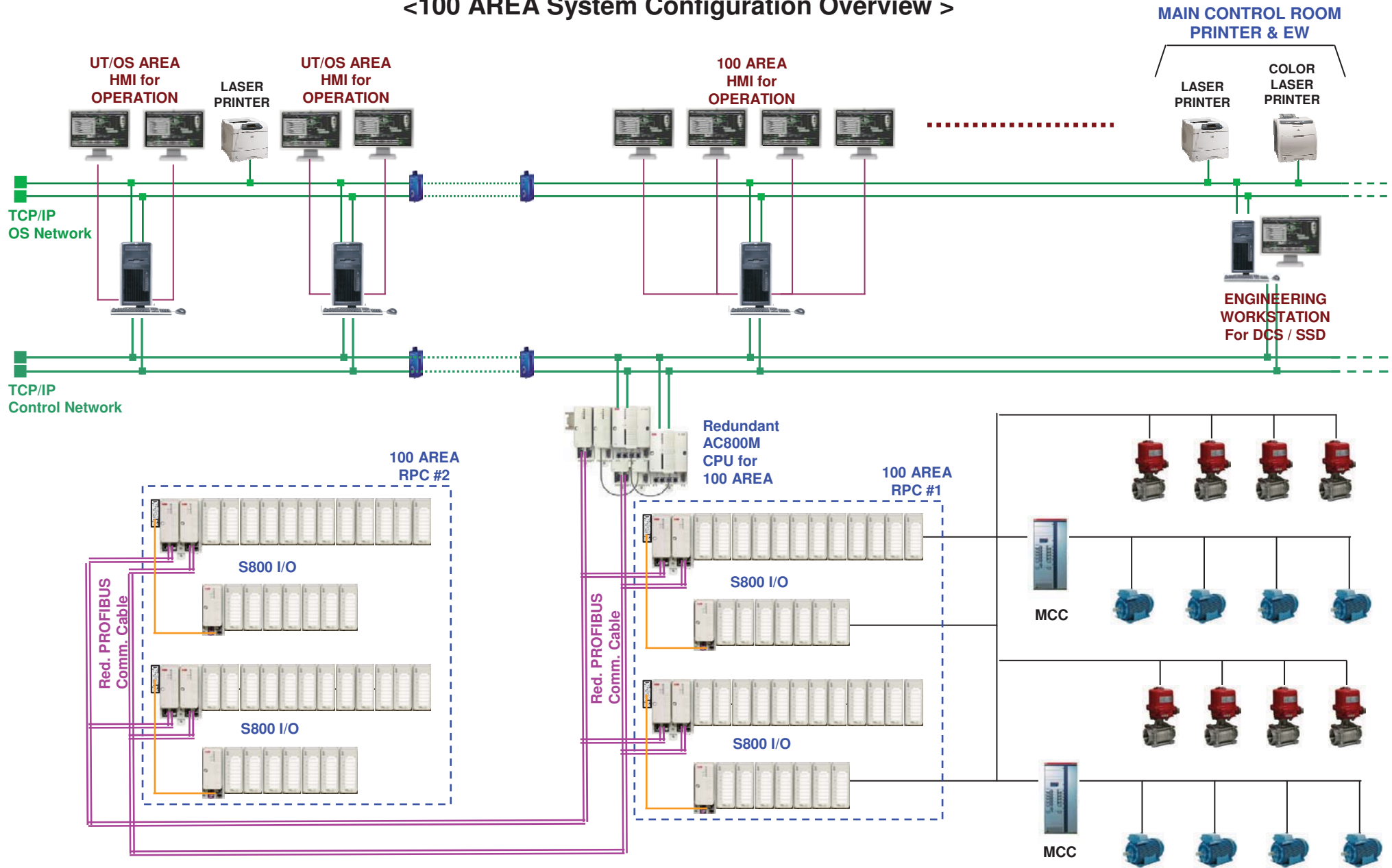




# < UT/OS AREA System Configuration Overview >

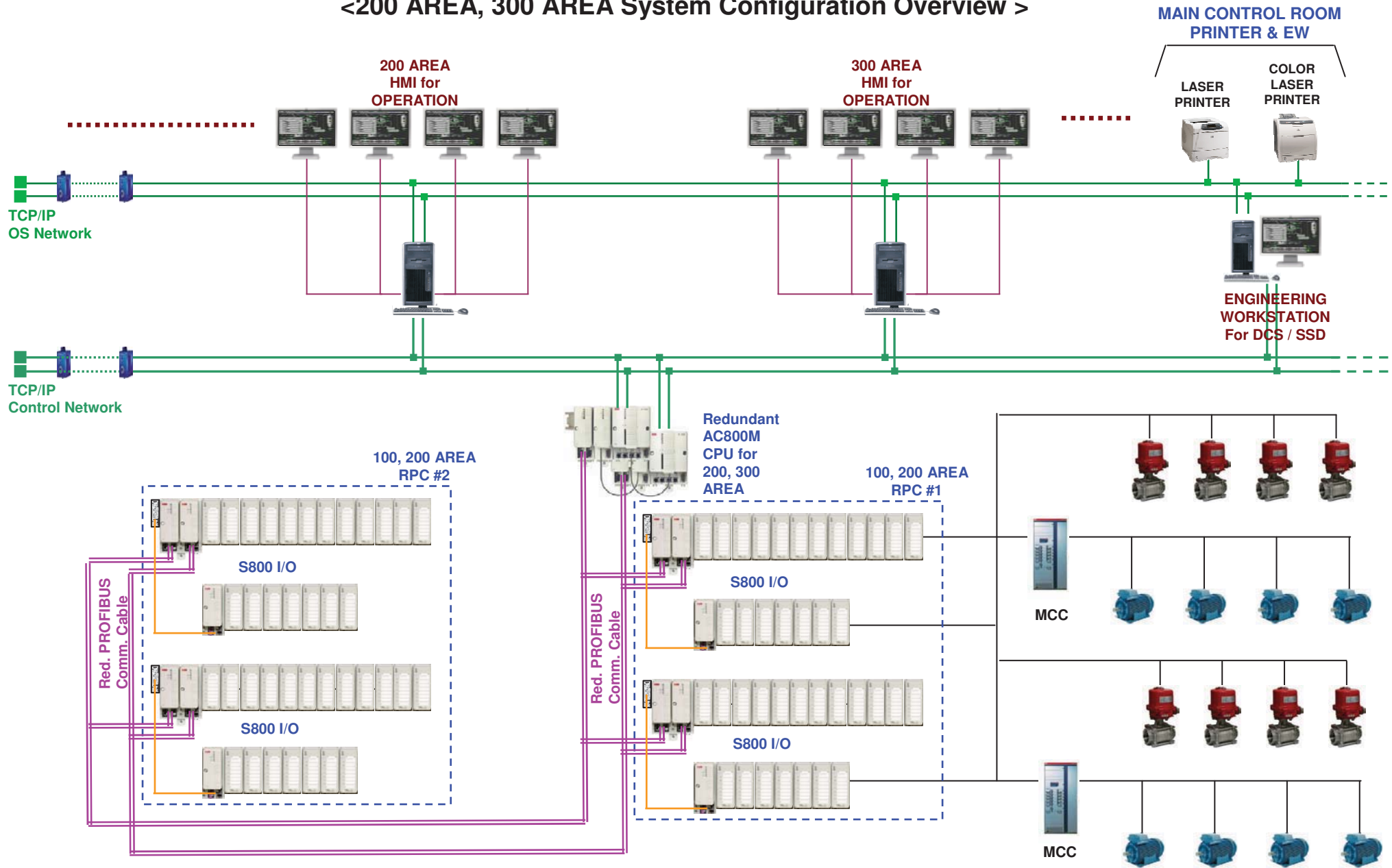


# <100 AREA System Configuration Overview >

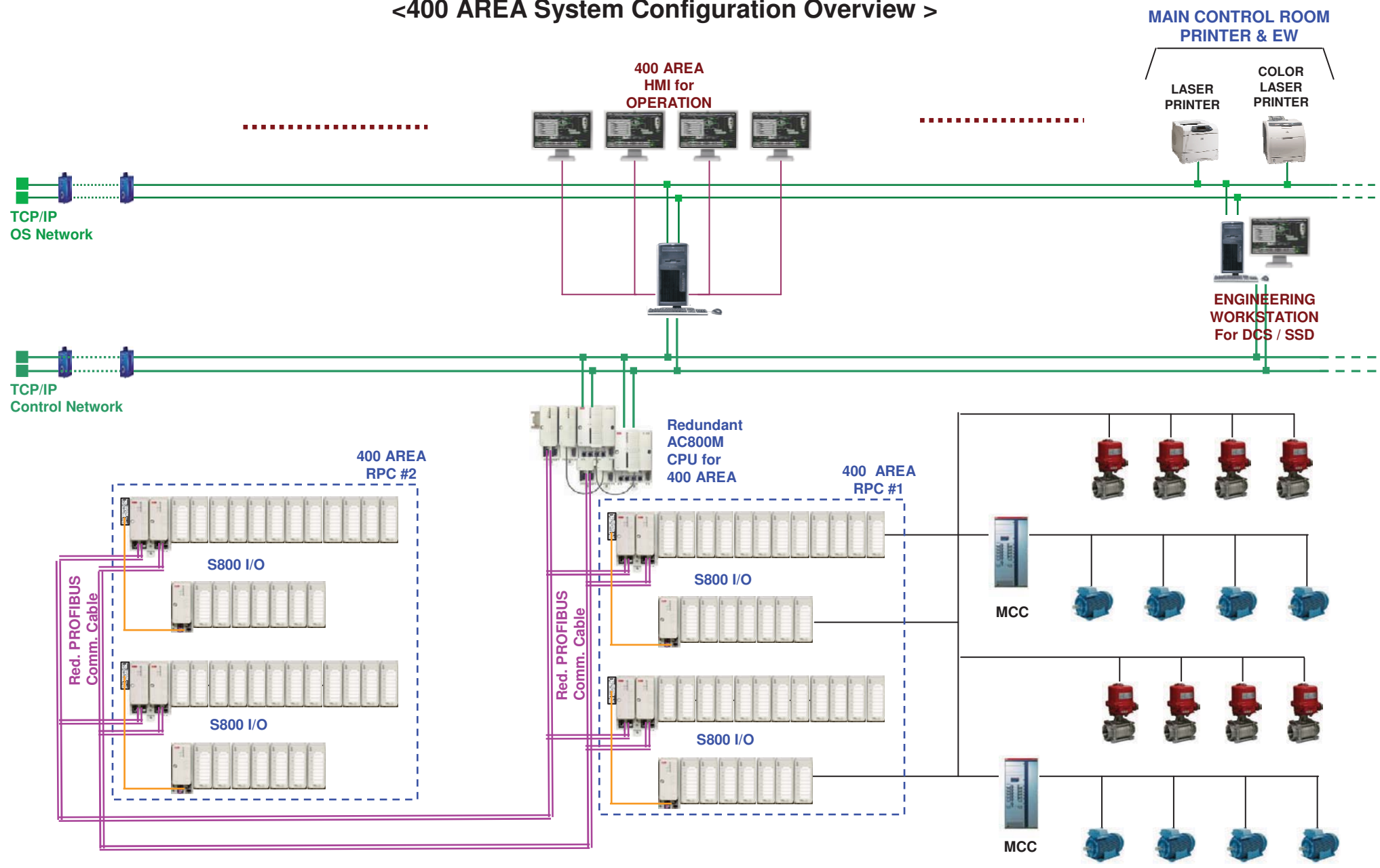


Rev.	Date
0	

# <200 AREA, 300 AREA System Configuration Overview >

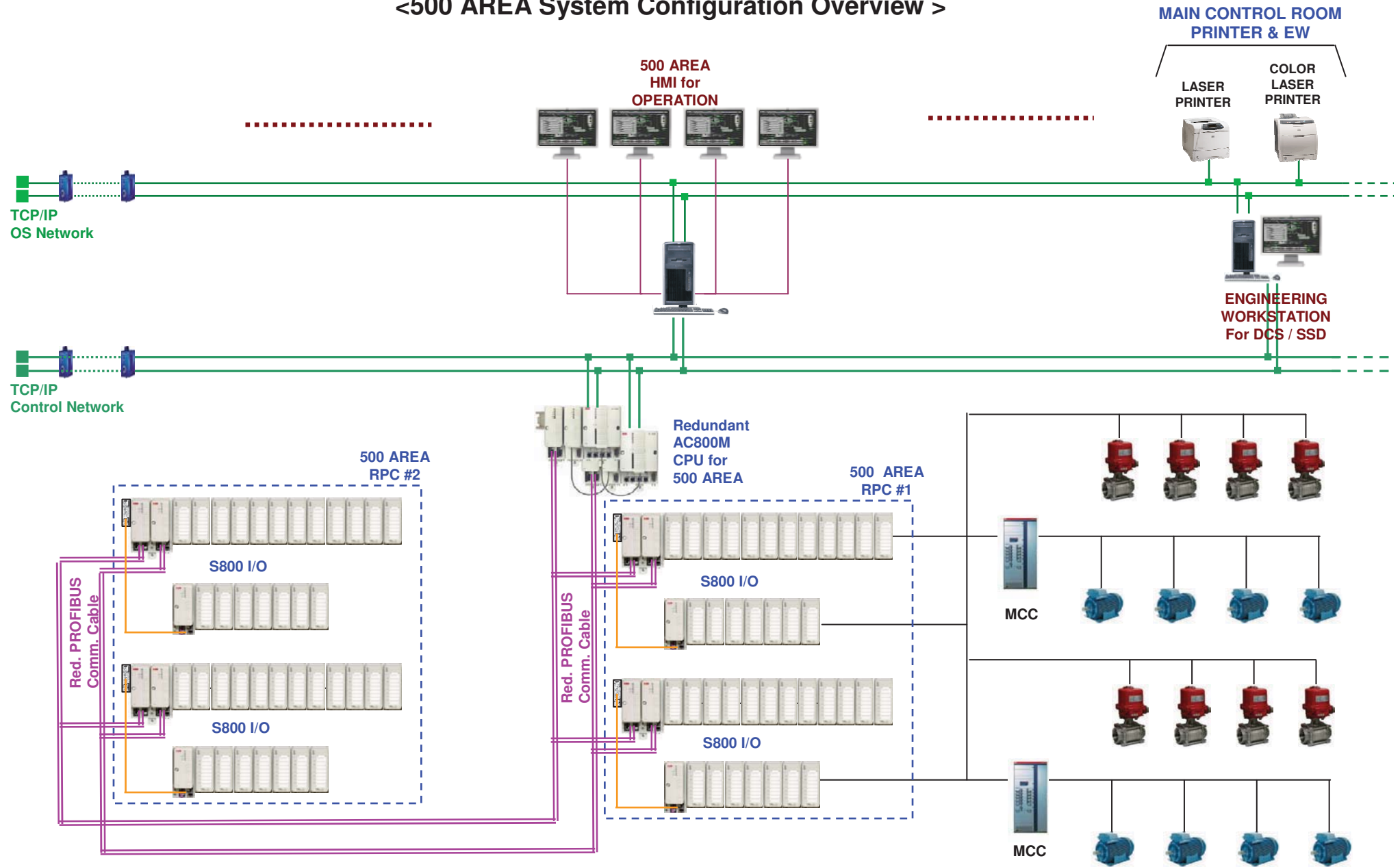


# <400 AREA System Configuration Overview >



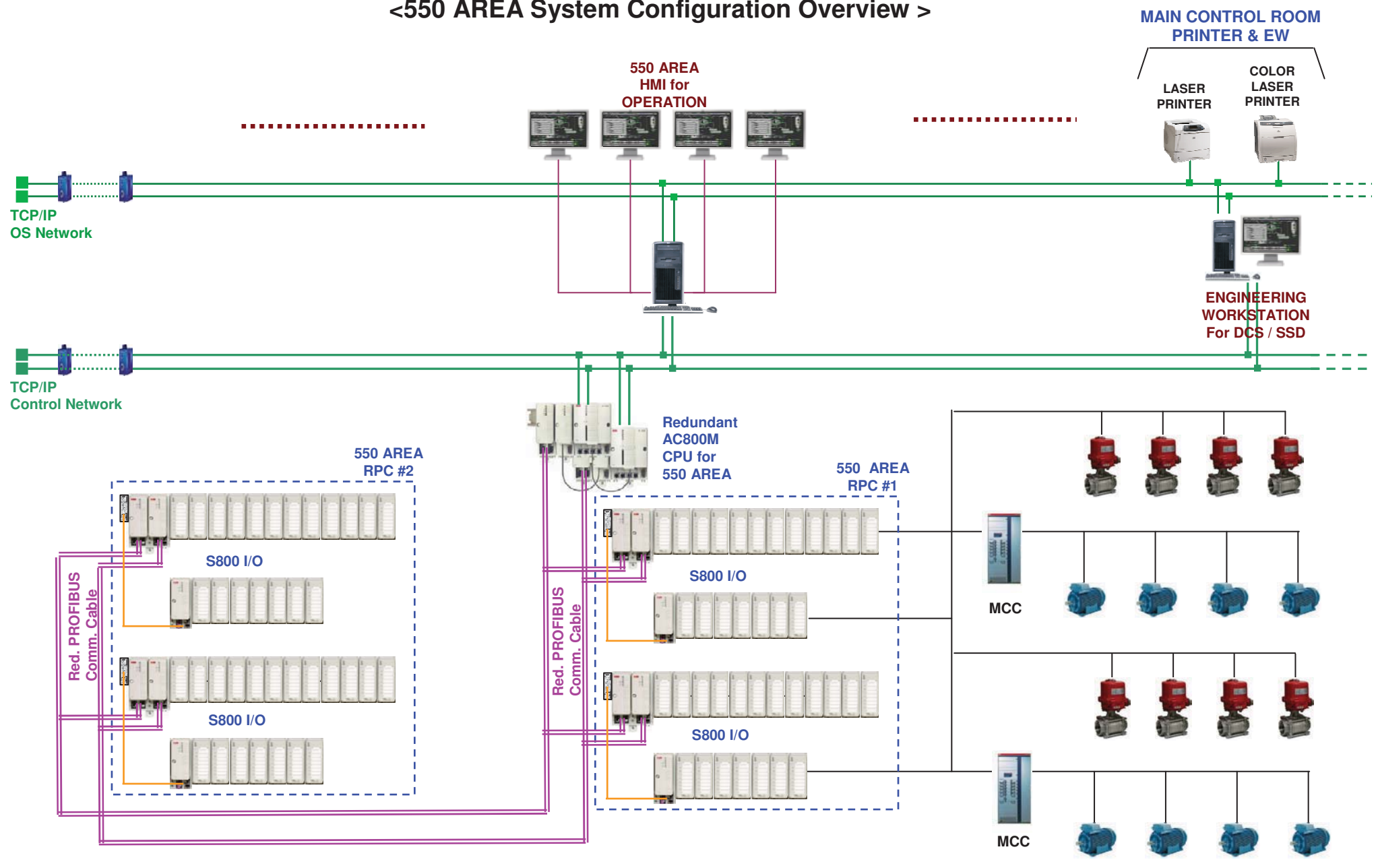
Rev.	Date
0	

# <500 AREA System Configuration Overview >



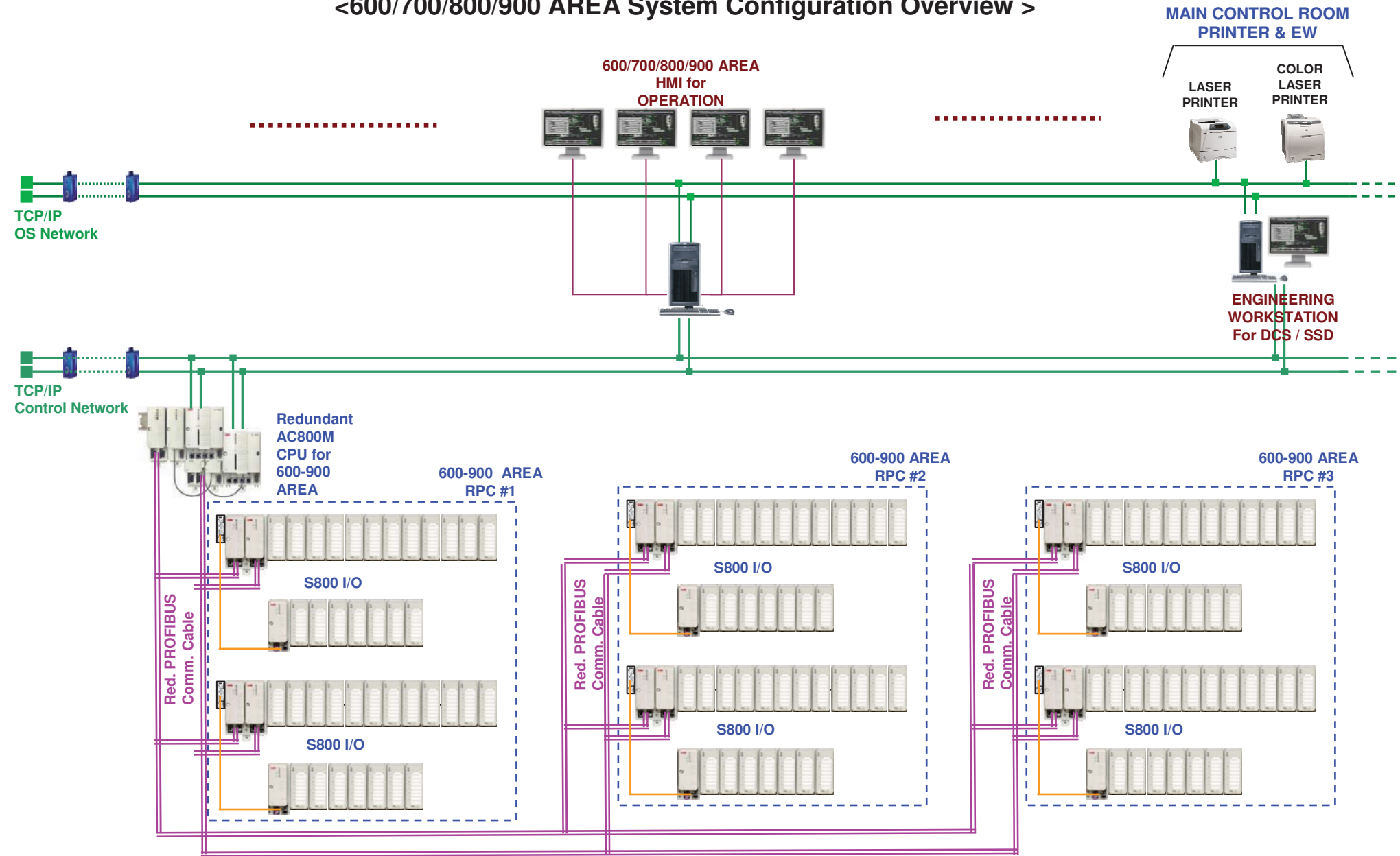
Rev.	Date
0	

# <550 AREA System Configuration Overview >



Rev.	Date
0	

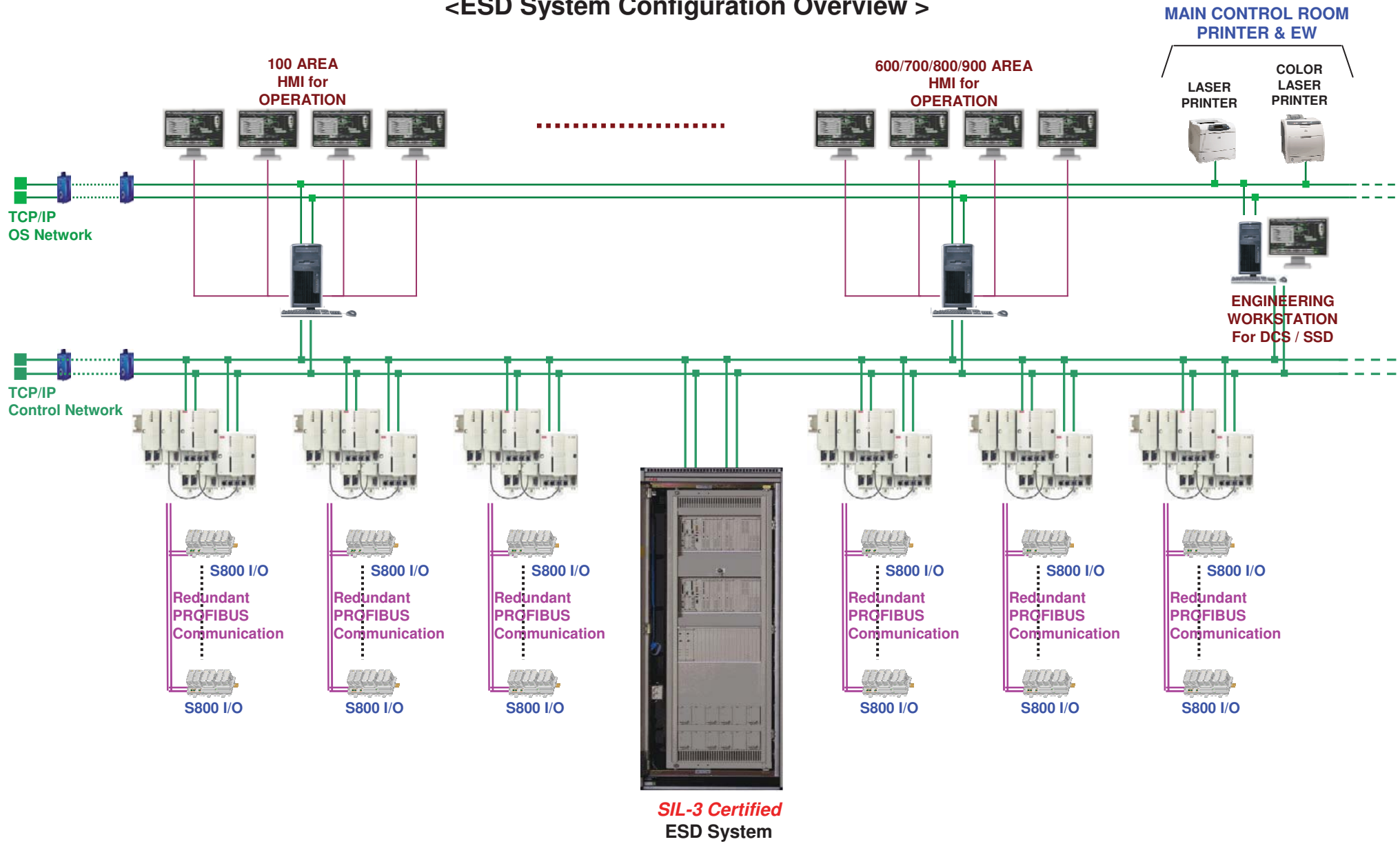
# <600/700/800/900 AREA System Configuration Overview >



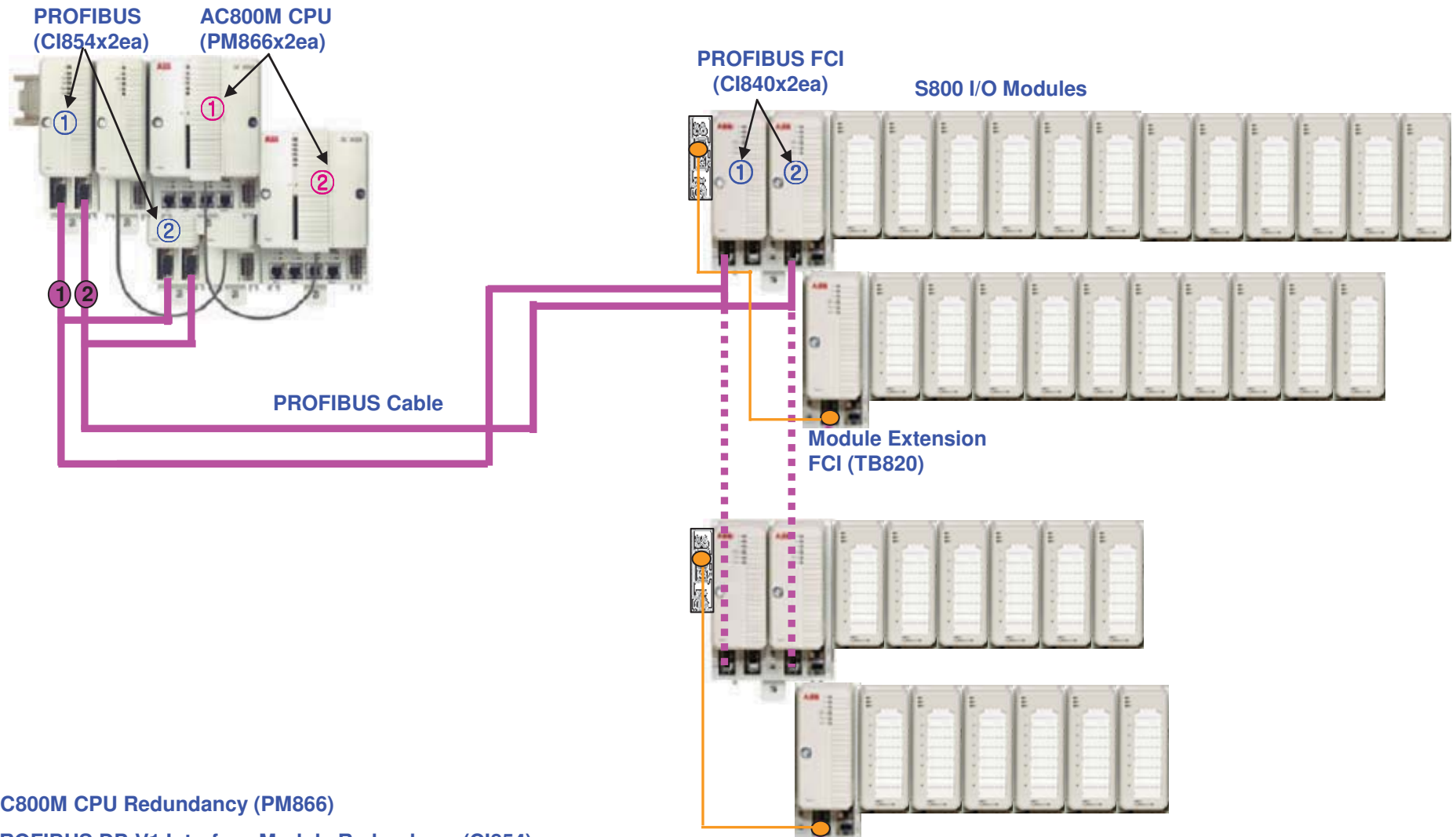
Rev.	Date
0	



# <ESD System Configuration Overview >

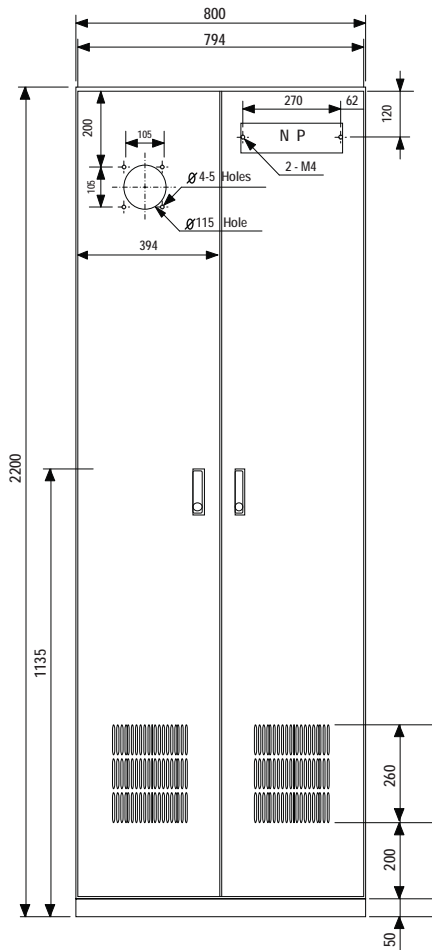


Rev.	Date
0	

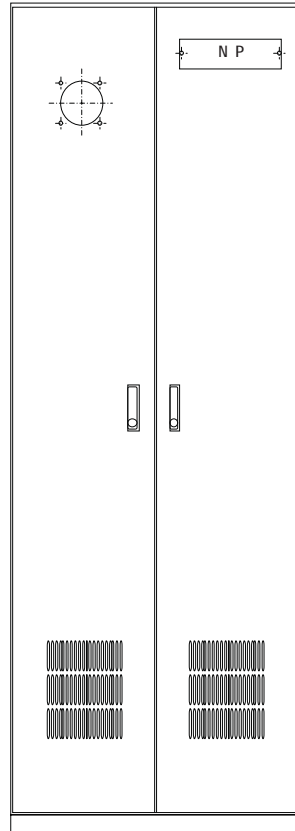


Note)

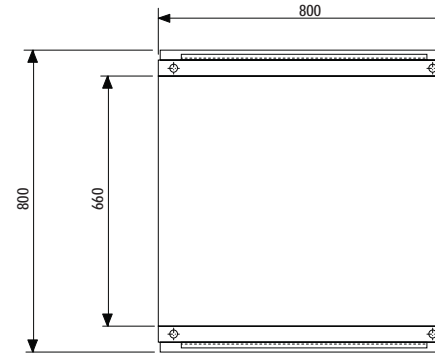
1. AC800M CPU Redundancy (PM866)
2. PROFIBUS DP-V1 Interface Module Redundancy(CI854)
3. PROFIBUS DPV1 Fieldbus Communication Interface Module Redundancy(CI840)
4. PROFIBUS Cable Redundancy (If the distance between Controller and IO Station are over 1.2km, we will be use Fiber Optic Modem & cable)
5. Single S800 I/O Modules



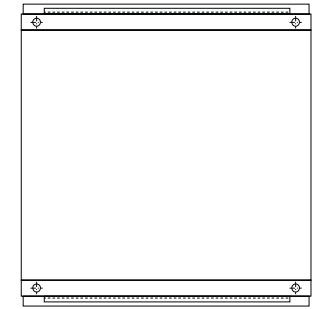
FRONT VIEW



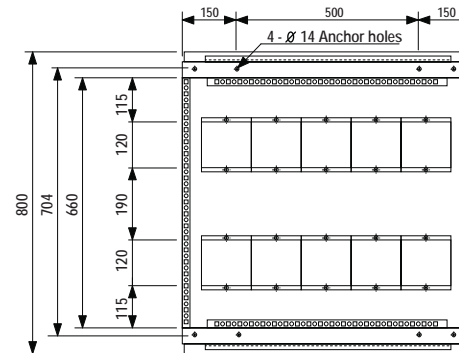
REAR VIEW



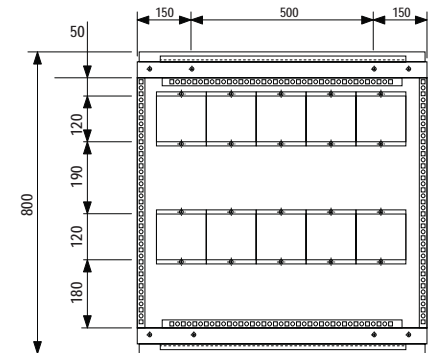
TOP VIEW  
(for S800 I/O Cabinet)



TOP VIEW  
(for AC460 & S100 I/O Subrack)



BOTTOM VIEW  
(for S800 I/O Cabinet)



BOTTOM VIEW  
(for AC460 & S100 I/O Subrack)

GENERAL SPECIFICATION

1. ENCLOSER : STEEL FABRICATED VERTICAL SELF-STANDING TYPE.
2. MATERIAL : PANEL ALL SCP 2.3t STEEL PLATE.
3. CABLE ENTRY : BOTTOM.
4. DIMENSION : 800(W) \* 800(D) \* 2200(H)
5. PAINTING COLOR :  
EXTERNAL SURFACE (DOOR) : MUNSELL NO. : 7.5GY 7/2, COLOR NAME : GRAYISH GREE  
INTERNAL SURFACE (FRAME) : MUNSELL NO. : 7.5GY 7/2, COLOR NAME : GRAYISH GREE

TITLE : Cabinet General Specification Dwg. For S800 I/O Subrack Cabinet.

RACK NO. :

DWG. NO. :

SHEET NO.

REV. NO.

A

NAME PLATE	NP1	NP2	NP3
1st Line	S800 71-F	CCB 71	SSB71-F
2nd Line	S800 I/O Rack	S100 Connection Unit Rack	S100 I/O Subrack
3rd Line	HVDU	HVDU	HVDU



Front View

TITLE : Rack Layout & Internal Arrangement Dwg. For HVDU S100 & S800 I/O Subrack

RACK NO. :

DWG. NO. :

SHEET NO.

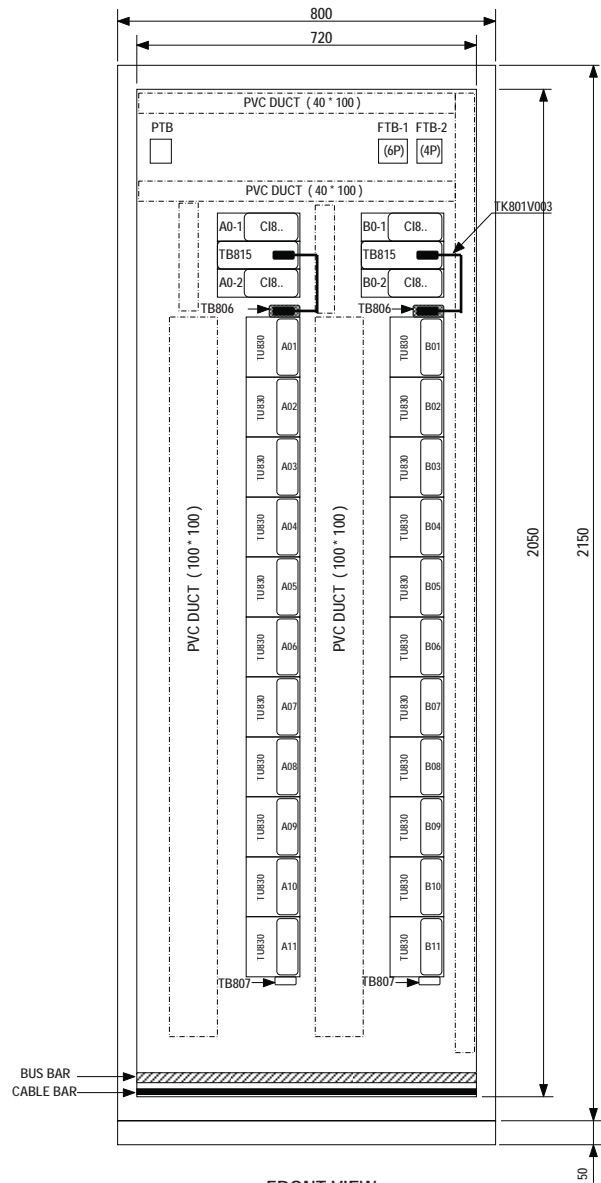
REV. NO.

A



(주)호원아이엔씨  
HOWON Instrument & Control Co., Ltd.

S80071-F



FRONT VIEW  
(Door Not Shown)

LOC NO.	NAME	MODEL	DESCRIPTION	REF. SHEET NO.
	FTB-1		24V DC POWER TB. For STN.-11	
	FTB-2		24V DC POWER TB. For STN.-12	
A0-1	STN-11 AC460#7	CI8..	S800 Redundant Fieldbus Communication Interface Module	
A0-2	MOD-1	CI8..	S800 Redundant Fieldbus Communication Interface Module	
A01	71AI1101	AI810	8 ch. Analog Input (0-20mA, 0-10V)	141
A02	71AI1102	AI810	8 ch. Analog Input (0-20mA, 0-10V)	142
A03	71AI1103	AI810	8 ch. Analog Input (0-20mA, 0-10V)	143
A04	71AI1104	AI810	8 ch. Analog Input (0-20mA, 0-10V)	144
A05	71AI1105	AI810	8 ch. Analog Input (0-20mA, 0-10V)	145
A06	71AI1106	AI810	8 ch. Analog Input (0-20mA, 0-10V)	146
A07	71AI1107	AI810	8 ch. Analog Input (0-20mA, 0-10V)	147
A08	71AI1108	AI810	8 ch. Analog Input (0-20mA, 0-10V)	148
A09	71AI1109	AI810	8 ch. Analog Input (0-20mA, 0-10V)	149
A10	71AI1110	AI810	8 ch. Analog Input (0-20mA, 0-10V)	150
A11	71AI1111	AI810	8 ch. Analog Input (0-20mA, 0-10V)	151
A12				

B0-1	STN-12 AC460#7	CI8..	S800 Redundant Fieldbus Communication Interface Module	
B0-2	MOD-1	CI8..	S800 Redundant Fieldbus Communication Interface Module	
B01	71T1201	AI835	8 Ch. (7ch.+1Ref.ch.) Thermocouple Input	153
B02	71T1202	AI835	8 Ch. (7ch.+1Ref.ch.) Thermocouple Input	154
B03	71T1203	AI835	8 Ch. (7ch.+1Ref.ch.) Thermocouple Input	155
B04	71T1204	AI835	8 Ch. (7ch.+1Ref.ch.) Thermocouple Input	156
B05	71T1205	AI835	8 Ch. (7ch.+1Ref.ch.) Thermocouple Input	157
B06	71T1206	AI835	8 Ch. (7ch.+1Ref.ch.) Thermocouple Input	158
B07	71T1207	AI835	8 Ch. (7ch.+1Ref.ch.) Thermocouple Input	159
B08	71T1208	AI835	8 Ch. (7ch.+1Ref.ch.) Thermocouple Input	160
B09	71T1209	AI835	8 Ch. (7ch.+1Ref.ch.) Thermocouple Input	161
B10	71T1210	AI835	8 Ch. (7ch.+1Ref.ch.) Thermocouple Input	162
B11	71T1211	AI835	8 Ch. (7ch.+1Ref.ch.) Thermocouple Input	163
B12				

TB. NO.	DESCRIPTION	Ref. Sheet No.
M1	Used for 71A1101,2,3 Analog I/O each 8ch. Internal TB. ( fr. M/R )	141,142,143
M2	Used for 71A1104,5,6 Analog I/O each 8ch. Internal TB. ( fr. M/R )	144,145,146
M3	Used for 71A1107,8,9 Analog I/O each 8ch. Internal TB. ( fr. M/R )	147,148,149
M4	Used for 71A1110,11 Analog I/O each 8ch. Internal TB. ( fr. M/R )	150,151

TITLE : Rack Layout & Internal Arrangement Dwg. S800 I/O Rack

RACK NO. :	DWG. NO. :	SHEET NO.	REV. NO.
			A